



MSME- TECHNOLOGY CENTRE

CENTRAL INSTITUTE OF HAND TOOLS ,JALANDHAR

(Ministry of MSME, A Govt. of India Society)

केंद्रीय हस्त औजार संस्थान, जालंधर
सूक्ष्म लघु एवं मध्यम उद्यम मंत्रालय
भारत सरकार की सोसाइटी

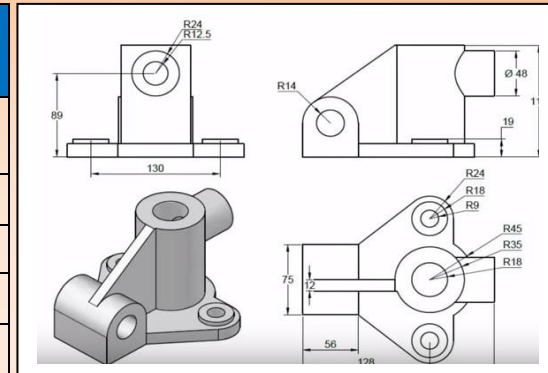
(G.T ROAD BYE PASS JALANDHAR CITY -144008(PUNJAB))



Course Name: Solidworks

Course Code: MSME/SDWRK/78

Course Content	Theory Hours	Practical Hours
• SKETCHER & MODIFICATION OF SKETCHES	-	10
• SOLID MODELING & EDITING	-	22
• SURFACE MODELING & EDITING	-	20
• ASSEMBLY MODELING	-	20
• DRAFTING	-	25



Course Category: Non-NSQF

Course Duration: 1Month/96 Hours

Fee:10200/- For General/OBC Candidates

***No Fee for SC/ST Candidates**

Documents required for Admission

- 10th Certificate
- Aadhar card
- Sc/St Certificate
- 2 Passport Size Photograph

G.T Road, Bye Pass, Opposite Shaheed Bhagat Singh Colony Jalandhar City-144008 (Punjab), India

Website: WWW.CIHT.IN

FACEBOOK: MSME TC JALANDHAR

EMAIL:INFO@CIHT.IN

For more Information Contact: 9915466844, 9417863723, 7956832232, 7986123419, 7696181860.