



MSME- TECHNOLOGY CENTRE

CENTRAL INSTITUTE OF HAND TOOLS ,JALANDHAR

(Ministry of MSME, A Govt. of India Society)

केन्द्रीय हस्त औजार संस्थान, जालंधर
सूक्ष्म लघु एवं मध्यम उद्यम मंत्रालय
भारत सरकार की सोसाइटी



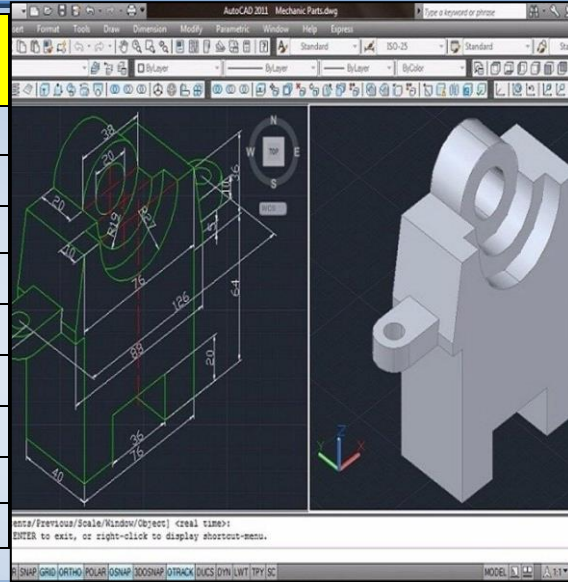
(G.T ROAD BYE PASS JALANDHAR CITY -144008(PUNJAB))

Course Name: Master Certificate Course in CAD/CAM

Course Code: MSME/MCCCC/38

Course Content

Course Content	Theory Hours	Practical Hours
• Auto Cad	0	60
• Solid Works	0	60
• Creo	0	80
• Catia	0	80
• NX Cad/Cam	0	120
• Ansys	0	80
• Enterpreneurship	20	0
• CNC Programiing & CNC Machining	0	120
• Project Work	0	160



Course Category: NSQF Level-6

Course Duration: 6 Months/780 Hours

Fee : 36000/- For General/OBC Candidates

***No Fee for SC/St Candidates**

Documents required for Admission

- 10th Certificate
- 10+2 certificate
- Diploma /B.tech Certificate
- Aadhar card
- Sc/St Certificate
- 2 Passport Size Photograph
- Rs-1000/- Refundable security fee for Sc/St Candidates

G.T Road, Bye Pass, Opposite Shaheed Bhagat Singh Colony Jalandhar City-144008 (Punjab), India

Website: WWW.CIHT.IN

FACEBOOK: MSME TC JALANDHAR

EMAIL:INFO@CIHT.IN

For more Information Contact: 9915466844, 9417863723, 7956832232, 7986123419, 7696181860